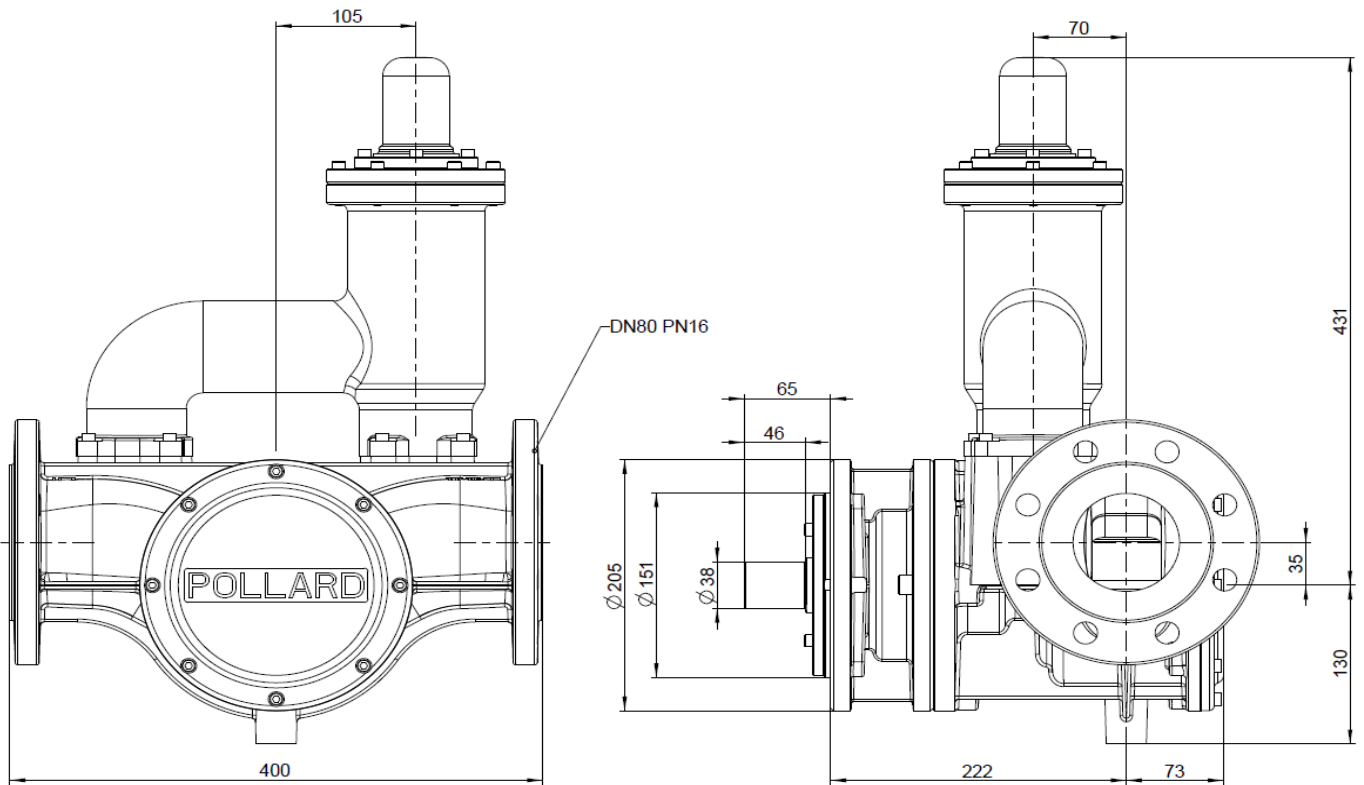


Flow range	15 to 30 m ³ /h
Speed rotation range in RPM	0-1000
Fluid viscosity range in cSt	1-50 000
Vacuum in bar	-0,7
Standard operating pressure	5
Max operating pressure in bar	15
Operating temperature range in °C	-20 / +160
Body pump raw material	Cast iron
Shaft and stator raw material	Special steel
Integrated safety by-pass	Option
Hard particles maximal size	500 μ
Soft particles maximal size	10 mm
Seal type	Mechanical



Flow calculation : Curves are for P 527 pump (527cm³ per rotation), for P263 it is necessary to multiply by 263 and divide by 527 (flow is proportionnal to the cubic capacity).

